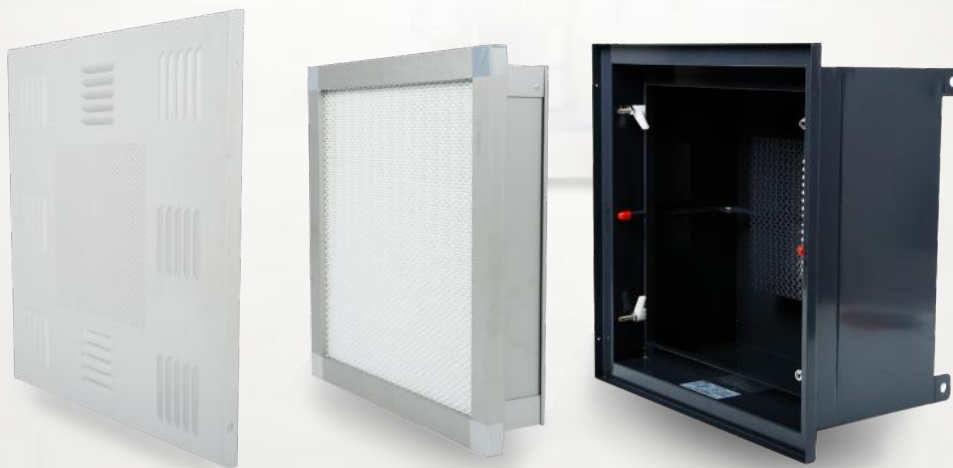


HEPA Supply Air Outlet

Safe air supply, precise control, worry-free operation





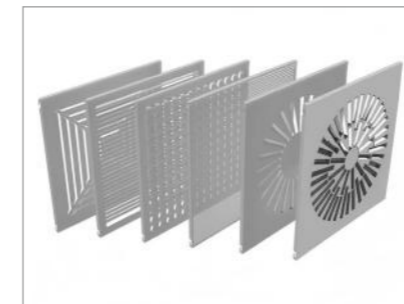
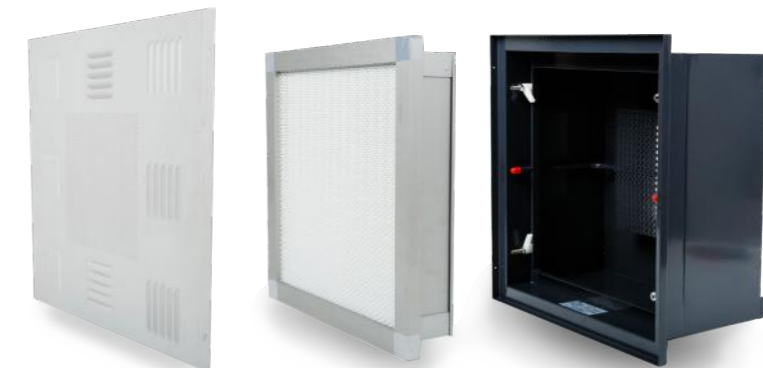
HEPA Supply Air Outlet

A HEPA supply air outlet is a passive terminal air supply purification device widely used in clean spaces with stringent air cleanliness requirements, such as electronics manufacturing, biopharmaceuticals, food processing, precision instrumentation, and laboratories. Its function is to efficiently filter and evenly distribute air supplied indoors at the terminal end of HVAC systems, ensuring the clean zone achieves the required cleanliness class.

These HEPA supply air outlets are typically installed in cleanrooms ceilings and are available in top-supply and side-supply configurations. According to housing material, they are categorized into aluminum profile or stainless steel profile; based on sealing type, they are available in gasket seal and liquid trough seal. The inlet flange can be circular or rectangular, and the plenum box can be optionally equipped with DOP injection tube, DOP sampling tubes, and filter differential pressure tubes to meet various testing and maintenance needs.

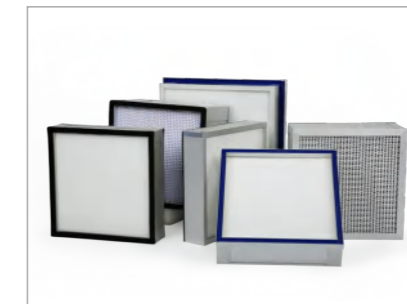


Structure



Diffuser plate

Multiple options available, with the possibility of customization tailored to your needs.



Air filter

High efficiency particulate air filter (HEPA) or ultra-low penetration air filter (ULPA).



Plenum box

Internal structures compatible with various air filter types.



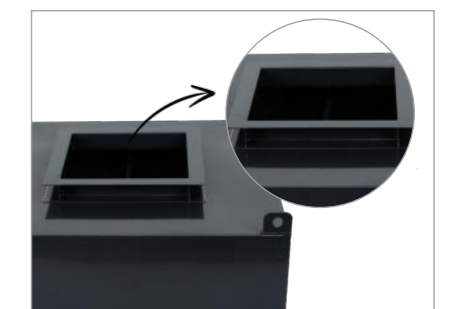
Compression bolts

Used to secure the air filter.



Internal accessories

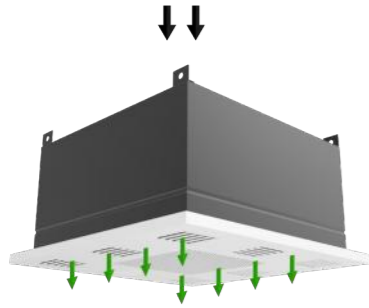
Optional DOP injection tube, DOP sampling tube, and filter differential pressure tube.



Air inlet flange

Rectangular or circular.

Installation Methods

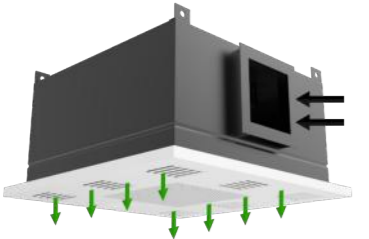


Top supply air outlet

The air inlet is located at the top of the supply air outlet, allowing air to enter the filter vertically downward.

Installation method and space requirements

- Typically installed directly above the suspended ceiling, with the air duct connected vertically.
- Suitable for applications where there is ample space above the suspended ceiling and vertical duct routing is possible.
- Simple structure and easy installation.



Side supply air outlet

The air inlet is located on the side of the supply air outlet, allowing air entering horizontally before turning downward to pass through the filter.

Installation method and space requirements

- Suitable for applications where the space above the suspended ceiling is limited or where the air duct can only be connected from the side.
- Installation requires reserving space for lateral air intake.
- As the airflow must change direction, internal guide vanes are utilized, resulting in a slightly more complex structure.

Category

01

Mini-Pleat Liquid Groove HEPA Supply Air Outlet

02

HEPA Ultra-Thin Supply Air Outlet

03

Mini-Pleat HEPA Supply Air Outlet

04

Circumfluent Mini-Pleat HEPA Supply Air Outlet

05

Separator HEPA Supply Air Outlet

01 Mini-Pleat Liquid Groove HEPA Supply Air Outlet



Frame material

Cold-rolled steel plate (Powder coated surface for enhanced corrosion resistance).



Filter grade

HEPA or ULPA filter.



Filter media

Glass fiber filter paper / PTFE filter paper.



Sealing type

Gel adhesive.



Accessories

Optional DOP injection tube, DOP sampling tube, and filter differential pressure tube.

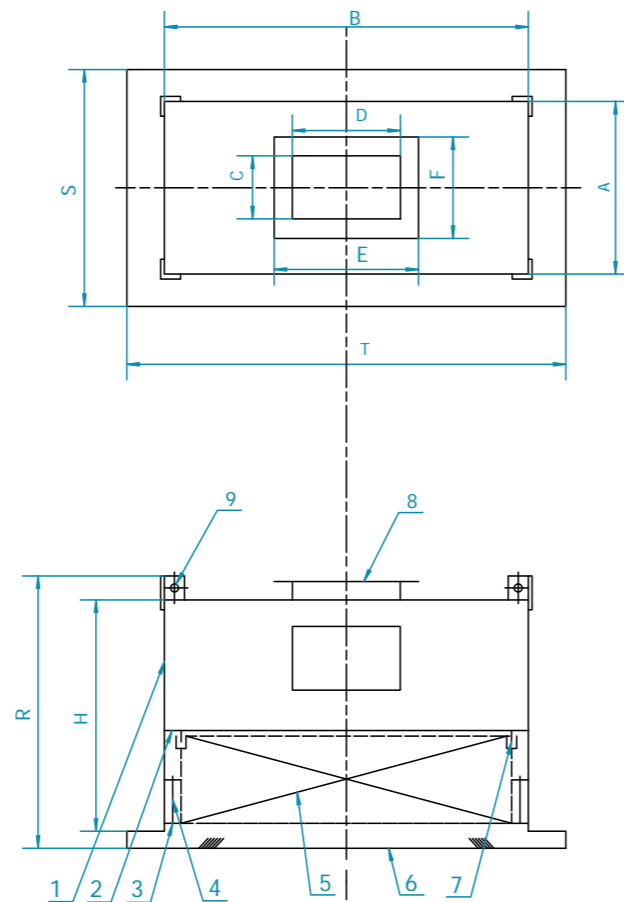


Applications

Primarily used for terminal air supply in cleanrooms, including the pharmaceutical, medical, food, electronics, and semiconductor industries.

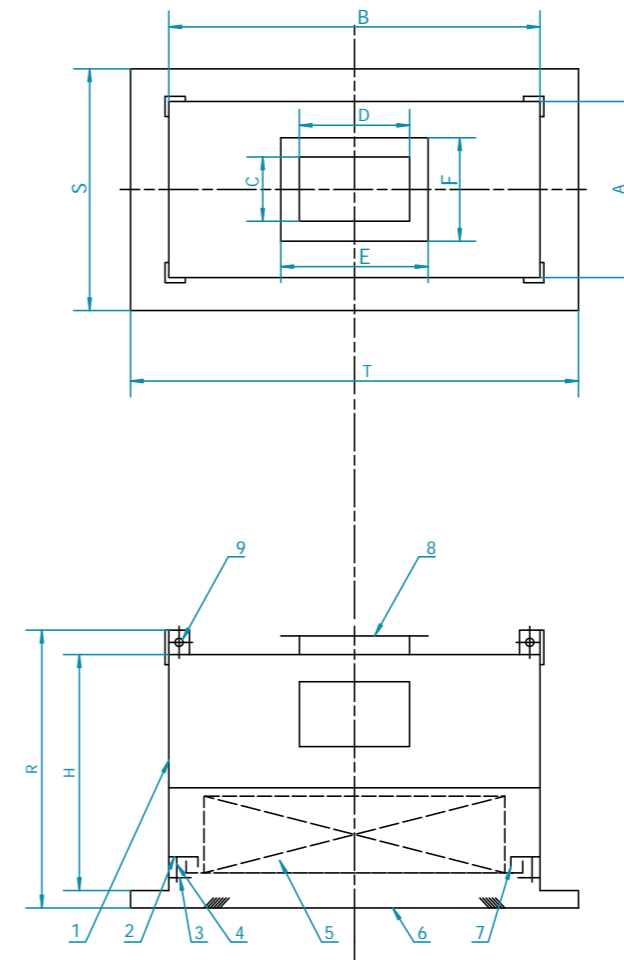
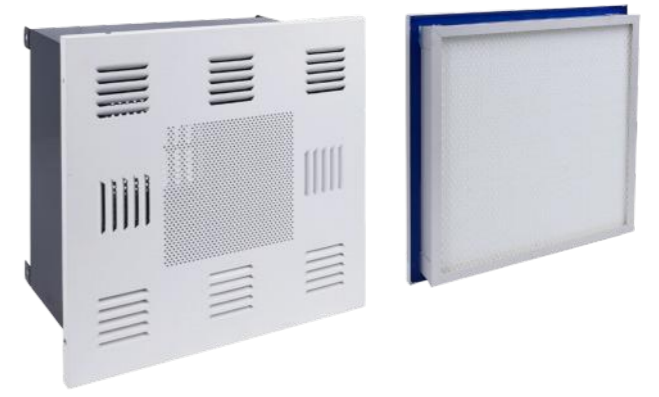


Ceiling Liquid Trough



- 1 Casing (gray)
- 2 Installation frame of HEPA filter
- 3 Fixing pressed block
- 4 Pressed bolt
- 5 HEPA filter
- 6 Air flow diffuser (white)
- 7 Liquid sealant
- 8 Air-lat flange (option: round shape)
- 9 Suspension block

Side Liquid Trough



- 1 Casing (gray)
- 2 Installation frame of HEPA filter
- 3 Fixing pressed block
- 4 Pressed bolt
- 5 HEPA filter
- 6 Air flow diffuser (white)
- 7 Liquid sealant
- 8 Air-lat flange (option: round shape)
- 9 Suspension block

| Model | | Casing Installation Dimensions (B × A × H) | Filter Dimensions | Rated Airflow | Inlet Duct Dimensions (D × C) | Duct Connection Dimensions (E × F) | Casing External Dimensions (T × S × R) | Weight |
|------------------------|-----------------------|--|-------------------|-------------------|-------------------------------|------------------------------------|--|--------|
| Side supply air outlet | Top supply air outlet | mm | mm | m ³ /h | mm | mm | mm | kg |
| JSAYC350Y | JSAYC350YD | 400 × 400 × 420 | 350 × 350 × 95 | 450 | 200 × 200 | 250 × 250 | 460 × 460 × 468 | 10 |
| JSAYC400Y | JSAYC400YD | 450 × 450 × 420 | 400 × 400 × 95 | 500 | 200 × 200 | 250 × 250 | 510 × 510 × 468 | 12 |
| JSAYC484Y | JSAYC484YD | 534 × 534 × 420 | 484 × 484 × 95 | 800 | 320 × 200 | 370 × 250 | 594 × 594 × 468 | 14 |
| JSAYC550Y | JSAYC550YD | 600 × 600 × 420 | 550 × 550 × 95 | 1000 | 320 × 200 | 370 × 250 | 660 × 660 × 468 | 15 |
| JSAYC610Y | JSAYC610YD | 660 × 660 × 420 | 610 × 610 × 95 | 1350 | 320 × 250 | 370 × 300 | 720 × 720 × 468 | 17 |
| JSAYC630Y | JSAYC630YD | 680 × 680 × 420 | 630 × 630 × 95 | 1500 | 320 × 250 | 370 × 300 | 740 × 740 × 468 | 21 |
| JSAYC915Y | JSAYC915YD | 965 × 660 × 420 | 915 × 610 × 95 | 2000 | 500 × 250 | 550 × 300 | 1025 × 720 × 468 | 22 |
| JSAYC945Y | JSAYC945YD | 995 × 680 × 420 | 945 × 630 × 95 | 2150 | 500 × 250 | 550 × 300 | 1055 × 740 × 468 | 27 |
| JSAYC1220Y | JSAYC1220YD | 1270 × 660 × 420 | 1220 × 610 × 95 | 2700 | 500 × 200 | 550 × 250 | 1330 × 720 × 468 | 21 |
| JSAYC1260Y | JSAYC1260YD | 1310 × 680 × 420 | 1260 × 630 × 95 | 3000 | 600 × 250 | 650 × 300 | 1370 × 740 × 468 | 28 |

Note: Custom dimensions are available upon request.

| Model | | Casing Installation Dimensions (B × A × H) | Filter Dimensions | Rated Airflow | Inlet Duct Dimensions (D × C) | Duct Connection Dimensions (E × F) | Casing External Dimensions (T × S × R) | Weight |
|------------------------|-----------------------|--|-------------------|-------------------|-------------------------------|------------------------------------|--|--------|
| Side supply air outlet | Top supply air outlet | mm | mm | m ³ /h | mm | mm | mm | kg |
| JSAYC384Y | JSAYC384YD | 434 × 434 × 420 | 384 × 384 × 90 | 480 | 200 × 200 | 250 × 250 | 494 × 494 × 468 | 11 |
| JSAYC434Y | JSAYC434YD | 484 × 484 × 420 | 434 × 434 × 90 | 500 | 200 × 200 | 250 × 250 | 544 × 544 × 468 | 13 |
| JSAYC584Y | JSAYC584YD | 634 × 634 × 420 | 584 × 584 × 90 | 1000 | 320 × 200 | 370 × 250 | 694 × 694 × 468 | 16 |
| JSAYC644Y | JSAYC644YD | 694 × 694 × 420 | 644 × 644 × 90 | 1450 | 320 × 250 | 370 × 300 | 754 × 754 × 468 | 18 |
| JSAYC854Y | JSAYC854YD | 904 × 684 × 420 | 854 × 634 × 90 | 1950 | 320 × 250 | 370 × 300 | 964 × 744 × 468 | 21 |
| JSAYC664Y | JSAYC664YD | 714 × 714 × 420 | 664 × 664 × 90 | 1600 | 320 × 250 | 370 × 300 | 774 × 774 × 468 | 19 |
| JSAYC949Y | JSAYC949YD | 999 × 694 × 420 | 949 × 644 × 90 | 2200 | 500 × 250 | 550 × 300 | 1059 × 754 × 468 | 23 |
| JSAYC979Y | JSAYC979YD | 1029 × 714 × 420 | 979 × 664 × 90 | 2400 | 500 × 250 | 550 × 300 | 1089 × 774 × 468 | 24 |
| JSAYC1254Y | JSAYC1254YD | 1304 × 694 × 420 | 1254 × 644 × 90 | 2900 | 500 × 200 | 550 × 250 | 1364 × 754 × 468 | 28 |
| JSAYC1294Y | JSAYC1294YD | 1344 × 714 × 420 | 1294 × 664 × 90 | 3100 | 600 × 250 | 650 × 300 | 1404 × 774 × 468 | 29 |

Note: Custom dimensions are available upon request.

02 HEPA Ultra-Thin Supply Air Outlet



| Model | External Dimensions (W × H × D) | Rated Airflow m ³ /h | Initial Resistance Pa | Efficiency % (Particle count method @0.3 μm) |
|-------------|---------------------------------|------------------------------------|--------------------------|---|
| | mm | | | |
| JSAT-6AB-E | 610 × 610 × 150 | 600 | ≤ 120 | ≥ 99.9 |
| JSAT-9AB-E | 915 × 610 × 150 | 900 | | |
| JSAT-12AB-E | 1220 × 610 × 150 | 1200 | | |

Note: Custom dimensions are available upon request.

Frame material
Aluminum profile.

Filter media
Glass fiber filter paper

Separator
Hot-melt adhesive

Gasket
Ethyl acetate

Sealant
Polyurethane adhesive

Duct connection top plate
Steel plate

Max. operating temperature
80 °C

Max. operating humidity
80%

Applications
Commonly used for connecting round flexible ducts or spiral ducts, designed for dry-sealed ceilings in cleanrooms.





03 Mini-Pleat HEPA Supply Air Outlet



Frame material

Cold-rolled steel plate (Powder coated surface for enhanced corrosion resistance)



Filter media

Glass fiber filter paper / PTFE filter paper.



Filter grade

HEPA or ULPA filter.



Filter type

Mini-pleat air filter.



Sealing type

EVA sealing strip / silicone strip (for high temperatures).



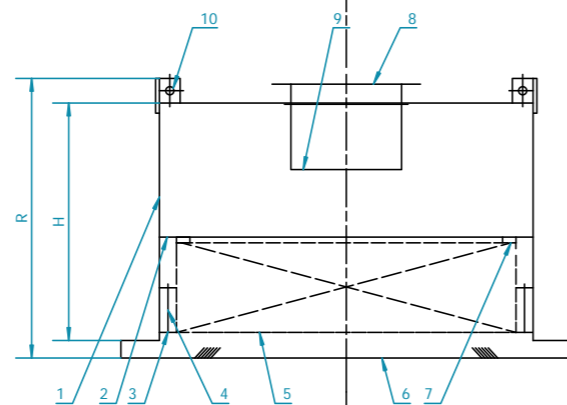
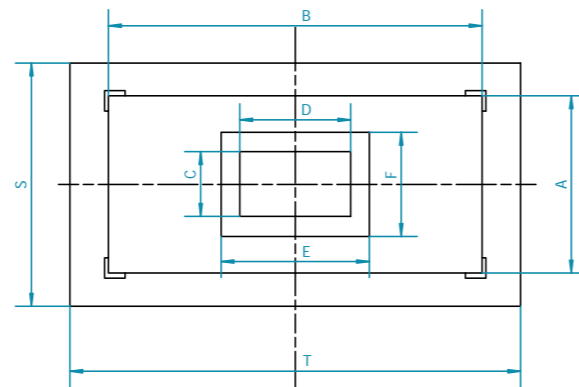
Accessories

Optional DOP injection tube, DOP sampling tube, and filter differential pressure tube.



Applications

Primarily used for terminal air supply in cleanrooms, including the pharmaceutical, medical, food, electronics, and semiconductor industries.



- 1 Casing (gray)
- 2 Installation frame of HEPA filter
- 3 Fixing pressed block
- 4 Pressed bolt
- 5 HEPA filter
- 6 Air flow diffuser (white)
- 7 Seal gasket
- 8 Air-let flange (option: round shape)
- 9 Air distribution plate
- 10 Suspension block

| Model | Casing Installation Dimensions (B × A × H) | Filter Dimensions | Rated Airflow | Inlet Duct Dimensions (D × C) | Duct Connection Dimensions (E × F) | Casing External Dimensions (T × S × R) | Weight |
|-----------|--|-------------------|-------------------|-------------------------------|------------------------------------|--|--------|
| | mm | mm | m ³ /h | mm | mm | mm | kg |
| JSAM320F | 370 × 370 × 220 | 320 × 320 × 80 | 360 | 200 × 200 | 250 × 250 | 430 × 430 × 268 | 12 |
| JSAM350F | 400 × 400 × 220 | 350 × 350 × 80 | 450 | 200 × 200 | 250 × 250 | 460 × 460 × 268 | 14 |
| JSAM400F | 450 × 450 × 220 | 400 × 400 × 80 | 500 | 200 × 200 | 250 × 250 | 510 × 510 × 268 | 15 |
| JSAM484F | 534 × 534 × 220 | 484 × 484 × 80 | 800 | 320 × 200 | 370 × 250 | 594 × 594 × 268 | 16 |
| JSAM550F | 600 × 600 × 220 | 550 × 550 × 80 | 1000 | 320 × 200 | 370 × 250 | 660 × 660 × 268 | 17 |
| JSAM610F | 660 × 660 × 220 | 610 × 610 × 69 | | 320 × 250 | 370 × 300 | 720 × 720 × 268 | 18 |
| JSAM820F | 870 × 650 × 220 | 820 × 600 × 69 | 1300 | 320 × 250 | 370 × 300 | 930 × 710 × 268 | 20 |
| JSAM630F | 680 × 680 × 220 | 630 × 630 × 80 | 1500 | 320 × 250 | 370 × 300 | 740 × 740 × 268 | 22 |
| JSAM726F | 776 × 534 × 220 | 726 × 484 × 80 | 1200 | 400 × 200 | 450 × 250 | 836 × 594 × 268 | 22 |
| JSAM915F | 965 × 660 × 220 | 915 × 610 × 69 | 1500 | 500 × 250 | 550 × 300 | 1025 × 720 × 268 | 24 |
| JSAM968F | 1018 × 534 × 220 | 968 × 484 × 80 | 1700 | 500 × 200 | 550 × 250 | 1078 × 594 × 268 | 32 |
| JSAM1220F | 1270 × 660 × 220 | 1220 × 610 × 69 | 2000 | 500 × 200 | 550 × 250 | 1330 × 720 × 268 | 34 |
| JSAM945F | 995 × 680 × 220 | 945 × 630 × 80 | 2150 | 500 × 250 | 550 × 300 | 1055 × 740 × 268 | 32 |
| JSAM260F | 1310 × 680 × 220 | 1260 × 630 × 80 | 3000 | 600 × 250 | 650 × 300 | 1370 × 740 × 268 | 37 |

Note: Custom dimensions are available upon request.



04 Circumfluent Mini-Pleat HEPA Supply Air Outlet

Safe air supply, precise control, worry-free operation



Frame material

Cold-rolled steel plate (Powder coated surface for enhanced corrosion resistance)



Filter media

Glass fiber filter paper / PTFE filter paper.



Filter grade

HEPA or ULPA filter.



Filter type

Mini-pleat air filter.



Sealing type

EVA sealing strip / silicone strip (for high temperatures).



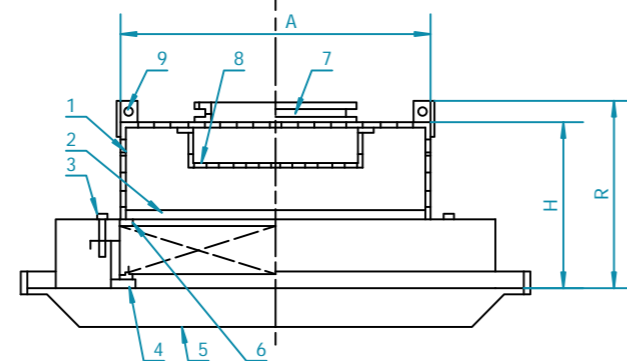
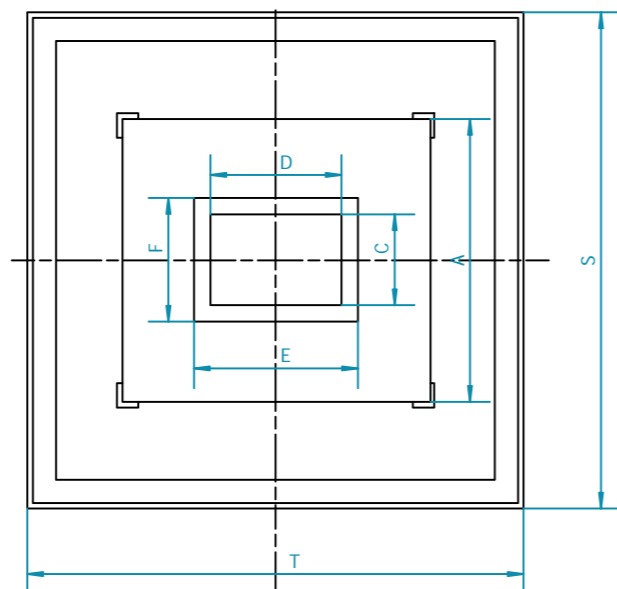
Accessories

Optional DOP injection tube, DOP sampling tube, and filter differential pressure tube.



Applications

Primarily used for terminal air supply in cleanrooms, including the pharmaceutical, medical, food, electronics, and semiconductor industries.



- 1 Casing (gray)
- 2 Installation frame of HEPA filter
- 3 Pressed bolt
- 4 HEPA filter
- 5 Air flow diffuser (white)
- 6 Seal gasket
- 7 Air-let flange (option: round shape)
- 8 Air distribution plate
- 9 Suspension block

| Model | | Casing Installation Dimensions (B × A × H) | Filter Dimensions | Rated Airflow | Inlet Duct Dimensions (D × C) | Duct Connection Dimensions (E × F) | Casing External Dimensions (T × S × R) | Weight |
|------------------------|-----------------------|--|-------------------|-------------------|-------------------------------|------------------------------------|--|--------|
| Side supply air outlet | Top supply air outlet | mm | mm | m ³ /h | mm | mm | mm | kg |
| JSALF320Z | JSALF320ZF | 400 × 400 × 395/225 | 320 × 320 × 80 | 360 | 200 × 200 | 250 × 250 | 460 × 460 × 430/260 | 12/10 |
| JSALF350Z | JSALF350ZF | 430 × 430 × 395/225 | 350 × 350 × 80 | 450 | 200 × 200 | 250 × 250 | 490 × 490 × 430/260 | 13/11 |
| JSALF400Z | JSALF400ZF | 480 × 480 × 395/225 | 400 × 400 × 80 | 500 | 200 × 200 | 250 × 250 | 540 × 540 × 430/260 | 14/12 |
| JSALF484Z | JSALF484ZF | 564 × 564 × 395/225 | 484 × 484 × 80 | 800 | 320 × 200 | 370 × 250 | 624 × 624 × 430/260 | 17/15 |
| JSALF550Z | JSALF550ZF | 630 × 630 × 395/225 | 550 × 550 × 80 | 1000 | 320 × 200 | 370 × 250 | 690 × 690 × 430/260 | 19/17 |
| JSALF610Z | JSALF610ZF | 690 × 690 × 395/225 | 610 × 610 × 80 | 1350 | 320 × 250 | 370 × 300 | 750 × 750 × 430/260 | 22/19 |
| JSALF820Z | JSALF820ZF | 900 × 680 × 395/225 | 820 × 600 × 80 | 1800 | 320 × 250 | 370 × 300 | 960 × 740 × 430/260 | 25/22 |
| JSALF630Z | JSALF630ZF | 710 × 710 × 395/225 | 630 × 630 × 80 | 1500 | 320 × 250 | 370 × 300 | 770 × 770 × 430/260 | 22/20 |
| JSALF726Z | JSALF726ZF | 806 × 564 × 395/225 | 726 × 484 × 80 | 1200 | 400 × 200 | 450 × 250 | 866 × 624 × 430/260 | 21/19 |
| JSALF915Z | JSALF915ZF | 995 × 690 × 395/225 | 915 × 610 × 80 | 2000 | 500 × 250 | 550 × 300 | 1055 × 750 × 430/260 | 27/24 |
| JSALF945Z | JSALF945ZF | 1025 × 710 × 395/225 | 945 × 630 × 80 | 2150 | 500 × 250 | 550 × 300 | 1085 × 770 × 430/260 | 28/25 |
| JSALF968Z | JSALF968ZF | 1048 × 564 × 395/225 | 968 × 484 × 80 | 1700 | 500 × 200 | 550 × 250 | 1108 × 624 × 430/260 | 26/23 |
| JSALF1220Z | JSALF1220ZF | 1300 × 690 × 395/225 | 1220 × 610 × 80 | 2700 | 500 × 200 | 550 × 250 | 1360 × 750 × 430/260 | 32/28 |
| JSALF1260Z | JSALF1260ZF | 1340 × 710 × 395/225 | 1260 × 630 × 80 | 3000 | 600 × 250 | 650 × 300 | 1400 × 770 × 430/260 | 34/30 |

Note: Custom dimensions are available upon request.



05 Separator HEPA Supply Air Outlet



Frame material

Cold-rolled steel plate (Powder coated surface for enhanced corrosion resistance)



Filter media

Glass fiber filter paper / PTFE filter paper.



Filter grade

HEPA or ULPA filter.



Filter type

Mini-pleat air filter.



Sealing type

EVA sealing strip / silicone strip (for high temperatures).



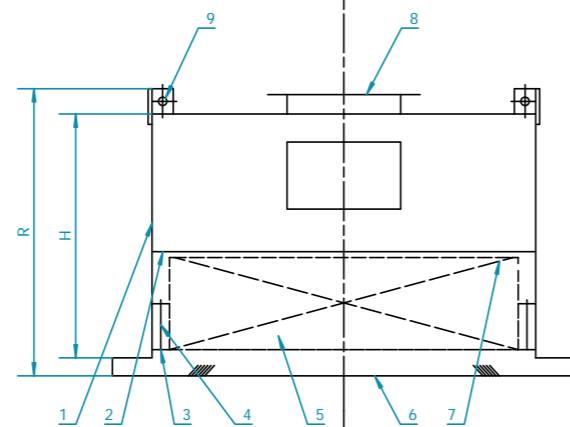
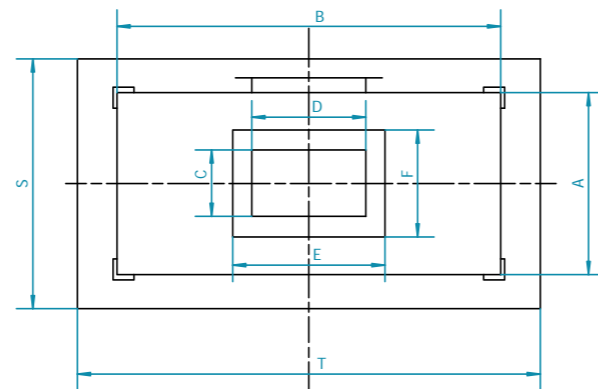
Accessories

Optional DOP injection tube, DOP sampling tube, and filter differential pressure tube.



Applications

Primarily used for terminal air supply in cleanrooms, including the pharmaceutical, medical, food, electronics, and semiconductor industries.



- 1 Casing (gray)
- 2 Installation frame of HEPA filter
- 3 Fixing pressed block
- 4 Pressed bolt
- 5 HEPA filter
- 6 Air flow diffuser (white)
- 7 Seal gasket
- 8 Air-let flange (option: round shape)
- 9 Suspension block

| Model | | Casing Installation Dimensions (B × A × H) | Filter Dimensions | Rated Airflow | Inlet Duct Dimensions (D × C) | Duct Connection Dimensions (E × F) | Casing External Dimensions (T × S × R) | Weight |
|------------------------|-----------------------|--|-------------------|-------------------|-------------------------------|------------------------------------|--|--------|
| Side supply air outlet | Top supply air outlet | mm | mm | m ³ /h | mm | mm | mm | kg |
| JSAS320 | JSAS320D | 370 × 370 × 530 | 320 × 320 × 220 | 400 | 200 × 200 | 250 × 250 | 430 × 430 × 578 | 20 |
| JSAS350 | JSAS350D | 400 × 400 × 530 | 350 × 350 × 220 | 500 | 200 × 200 | 250 × 250 | 460 × 460 × 578 | 22 |
| JSAS484 | JSAS484D | 534 × 534 × 530 | 484 × 484 × 220 | 1000 | 320 × 200 | 370 × 250 | 594 × 594 × 578 | 26 |
| JSAS610 | JSAS610D | 660 × 660 × 460 | 610 × 610 × 150 | 1000 | 320 × 250 | 370 × 300 | 720 × 720 × 508 | 30 |
| JSAS820 | JSAS820D | 870 × 650 × 460 | 820 × 600 × 150 | 1300 | 320 × 250 | 370 × 300 | 930 × 710 × 508 | 35 |
| JSAS630 | JSAS630D | 680 × 680 × 530 | 630 × 630 × 220 | 1500 | 320 × 250 | 370 × 300 | 740 × 740 × 578 | 35 |
| JSAS726 | JSAS726D | 776 × 534 × 530 | 726 × 484 × 220 | 1500 | 400 × 200 | 450 × 250 | 836 × 594 × 578 | 35 |
| JSAS915 | JSASP915D | 965 × 660 × 460 | 915 × 610 × 150 | 1500 | 500 × 250 | 550 × 300 | 1025 × 720 × 508 | 40 |
| JSAS968 | JSAS968D | 1018 × 534 × 530 | 968 × 484 × 220 | 2000 | 500 × 200 | 550 × 250 | 1078 × 594 × 578 | 50 |
| JSAS1220 | JSAS1220D | 1270 × 660 × 460 | 1220 × 610 × 150 | 2000 | 500 × 200 | 550 × 250 | 1330 × 720 × 508 | 55 |
| JSAS945 | JSAS945D | 995 × 680 × 530 | 945 × 630 × 220 | 2300 | 500 × 250 | 550 × 300 | 1055 × 740 × 578 | 50 |
| JSAS1260 | JSAS1260D | 1310 × 680 × 530 | 1260 × 630 × 220 | 3000 | 600 × 250 | 650 × 300 | 1370 × 740 × 578 | 60 |

Note: Custom dimensions are available upon request.

Application



PureFlow

Hengshui Pureflow Tech Co., Ltd.

- +86-13091189390 (WhatsApp & WeChat)
- hugo@pureflowtec.com
- www.pureflowtec.com



WeChat



WhatsApp